



13217 INSTALLATION INSTRUCTIONS

CAUTION:

Installation of this product requires detailed knowledge of automotive systems and repair procedures. We recommend that this installation be carried out by a qualified automotive technician.

Installation of this product requires handling of gasoline. Ensure you are working in a well ventilated area with an approved fire extinguisher nearby. Extinguish all open flames, prohibit smoking and eliminate all sources of ignition in the area of the vehicle before proceeding with the installation.

When installing this product, wear eye goggles and other safety apparel as needed to protect yourself from debris and sprayed gasoline.

WARNING!

The fuel system may be under pressure. Do not open the fuel system until any pressure has been relieved. Refer to the appropriate vehicle service manual for the procedure and precautions for relieving the fuel system pressure.

The enclosed Aeromotive regulator utilizes two o-ring sealed AN-10 style inlet ports and two o-ring sealed AN-6 style outlet ports; these regulator ports are NOT PIPE THREAD and utilize NO THREAD SEALANT.

Performance Specifications: Model 13217

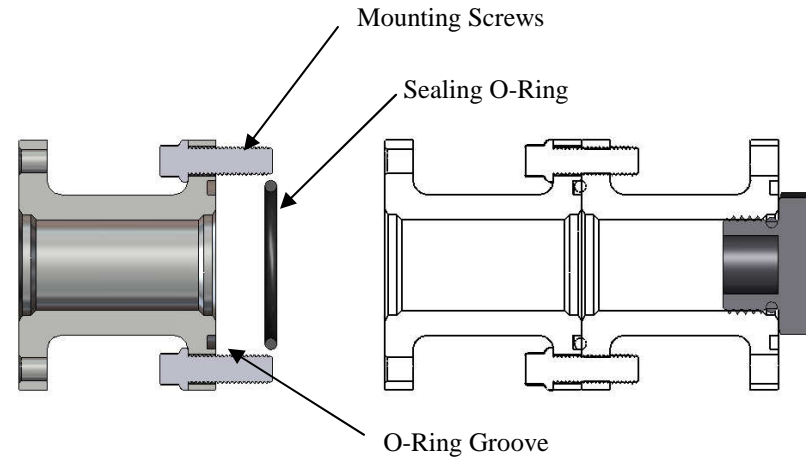
Outlet Fuel Pressure, adjustable	5-12 psi
Inlet Ports	2x AN-10 or O-Ring Sealed Flange
Outlet Ports	2x AN-06

Aeromotive system components are not legal for sale or use on emission controlled motor vehicles.

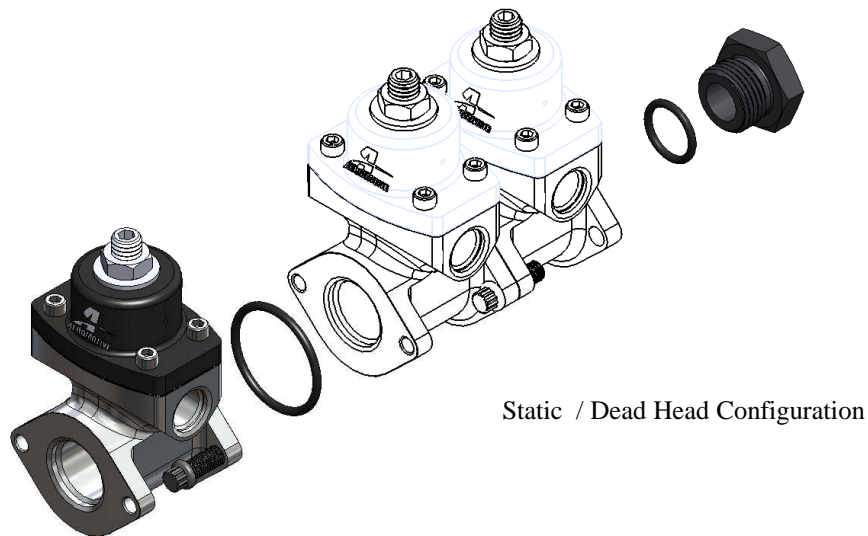
The following steps are typical of most installations:

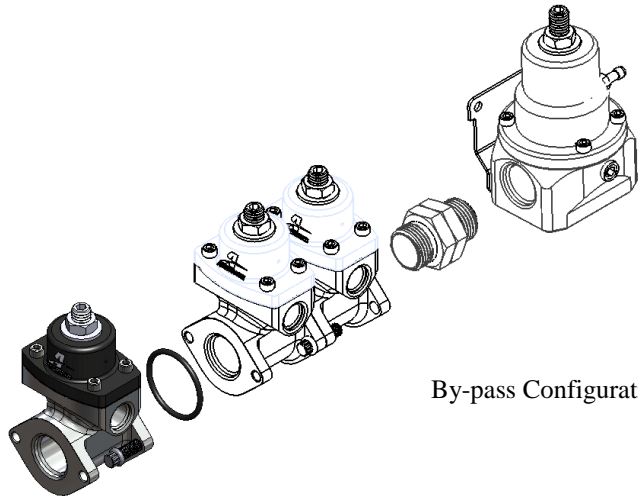
1. Once the engine has been allowed to cool, disconnect the negative battery cable and relieve the fuel system pressure.
2. Place shop towels around the existing regulator to catch any gasoline that is spilled during this step of the installation. Remove any regulator mounting hardware and connecting fuel lines, then carefully remove the regulator.

- Find a suitable place in the vehicle's engine compartment to mount the Aeromotive regulator. Using two flange mounting holes as a template, fabricate a bracket mounting.
- If using more than one regulator, place the supplied o-ring in the o-ring groove on one of the regulator bodies. Using the two supplied mounting screws connect the regulators together. Insure that the o-ring does not slip out of the o-ring groove and get pinched during assembly.



- Attach the fuel supply line to the regulators AN-10 inlet port (located at the front or rear of the regulator) using AN style fittings and o-rings.
 AN-12 / AN-10 fitting, Aeromotive P/N 15642
 AN-10 / AN-10 fitting, Aeromotive P/N 15608
 AN-08 / AN-10 fitting, Aeromotive P/N 15610
 AN-06 / AN-10 fitting, Aeromotive P/N 15609





By-pass Configuration

6. Using the supplied AN-10 port plug and o-ring, plug the unused inlet port.
7. Attach the nitrous solenoid or carburetor to the regulators AN-06 outlet ports using AN style fittings and o-rings. Install AN-06 style plugs and o-rings into the regulator outlet ports not used.
AN-06 / AN-06 fitting, Aeromotive P/N 15606
AN-08 / AN-06 fitting, Aeromotive P/N 15649
8. Tighten all connections.
9. Once the regulator is installed, attach a suitable fuel pressure gauge to the system.
- 10. Ensure that any spilled gasoline and any gasoline soaked shop towels are cleaned up and removed from the vicinity of the vehicle!**
11. Reconnect the battery and turn the fuel pump ON **WITHOUT** starting the car. After several seconds, check the fuel pressure. If there is no fuel pressure, turn the fuel pump OFF, wait one minute, return the fuel pump ON, and recheck the fuel pressure. Repeat this OFF and ON procedure until the fuel pressure gauge registers fuel pressure.
- 12. With the fuel pressure gauge registering fuel system pressure, check for fuel leaks from and around the Aeromotive regulator and all fuel lines and connections near the regulator! If any fuel leaks are found, turn the fuel pump OFF, remove any spilled fuel and repair the leak before proceeding!**
13. Once the fuel pressure gauge registers fuel system pressure and there are no fuel leaks, start the engine and adjust the regulator to the desired fuel pressure. Turning the adjustment screw clockwise will increase fuel pressure.
14. Once the desired fuel pressure is achieved, tighten the regulator adjustment jam nut.
15. Test drive the car to insure proper operation and re-check the fuel system for leaks. **If any leaks are found, immediately shut off the engine and repair the leak(s)!**

AEROMOTIVE, INC.
7805 Barton Street, Lenexa, KS 66214
913-647-7300 fax 913-647-7207

AEROMOTIVE, INC. LIMITED WARRANTY

This Aeromotive Product, with proof of purchase dated on or after January 1, 2003, is warranted to be free from defects in materials and workmanship for a period of one year from the original date of purchase. No warranty claim will be valid without authentic, dated proof of purchase.

This warranty is to the original retail purchaser and none other and is available directly from Aeromotive and not through any point of distribution or purchase.

If a defect is suspected, the retail purchaser must contact Aeromotive directly to discuss the problem, possible solutions and obtain a Return Goods Authorization (RGA), if deemed necessary by the company. Please call 913-647-7300 and dial option 3 for the technical service dept. All returns must be shipped freight pre-paid to the company and with valid RGA before they will be processed.

Aeromotive will examine any product returned with the proper authorization to determine if the failure resulted from a defect or from abuse, improper installation, misapplication or alteration. Aeromotive will then, at it's sole discretion, return, repair or replace the product.

If any Aeromotive product is determined defective, buyer's exclusive remedy is limited in value to the sale price of the good. In no event shall Aeromotive be liable for incidental or consequential damages.

Aeromotive expressly retains the right to make changes and improvements in any product it manufactures and sells at any time. These changes and improvements may be made without notice at any time and without any obligation to change the catalogs or printed materials.

Aeromotive expressly retains the right to discontinue at any time and without notice any Aeromotive product that it manufactures or sells.

This warranty is limited and expressly limits any implied warranty to one year from the date of the original retail purchase on all Aeromotive products.

No person, party or corporate entity other than Aeromotive shall have the right to: determine whether or not this Limited Warranty is applicable to any Aeromotive product, authorize any action whatsoever under the terms and conditions of this Limited Warranty, assume any obligation or liability of any nature whatsoever on behalf of Aeromotive under the terms and conditions of this Limited Warranty.

This Limited Warranty covers only the product itself and not the cost of installation or removal.

This Limited Warranty is in lieu of and expressly excludes any and all other warranties, expressed or implied. This Limited Warranty gives you specific legal rights, and you may also have other rights which vary from state to state.